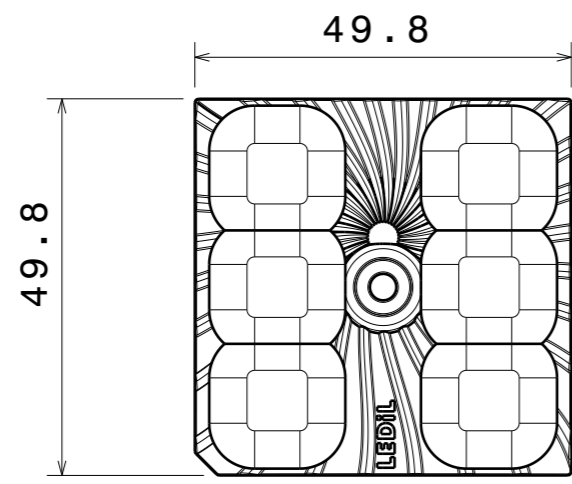
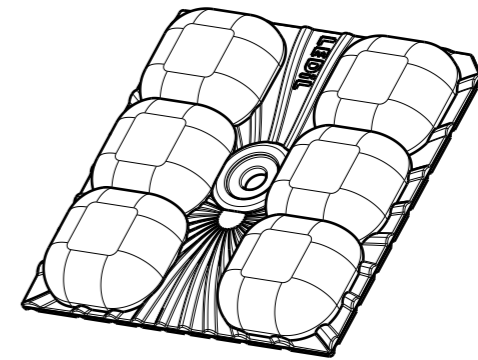
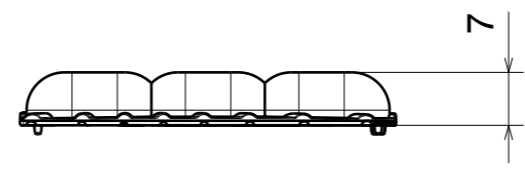
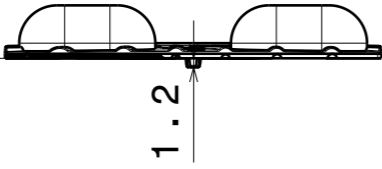


PCB top level ●



↑ Beam nominal direction

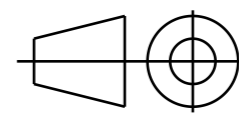
PART	TYPE	MATERIAL	COLOR / COATING
C19544_VIMIN-2x3-5050-VSM	Lens	PMMA	Clear

MECHANICAL DRAWING

PRODUCT -

Plastic moulding general tolerances according to DIN 16901-130 and applies if not otherwise shown in the drawing. Silicone moulding general tolerances according to ISO 3302-1 Class M3 and applies if not otherwise shown in the drawing.

FIRST ANGLE PROJECTION:



LEDiL

This drawing is the property of LEDiL Oy. It may not be copied or otherwise distributed without prior written permission from LEDiL Oy.

SCALE	1:1	WEIGHT	9g	A3	SHEET 1/1
-------	-----	--------	----	----	-----------

Notes

●	PCB or heatsink level.
●	LED location
	Ensure LED fitting from a product specific 3D model available from www.ledil.com
	For more details about installation please see LEDiL Installation Guide on www.ledil.com